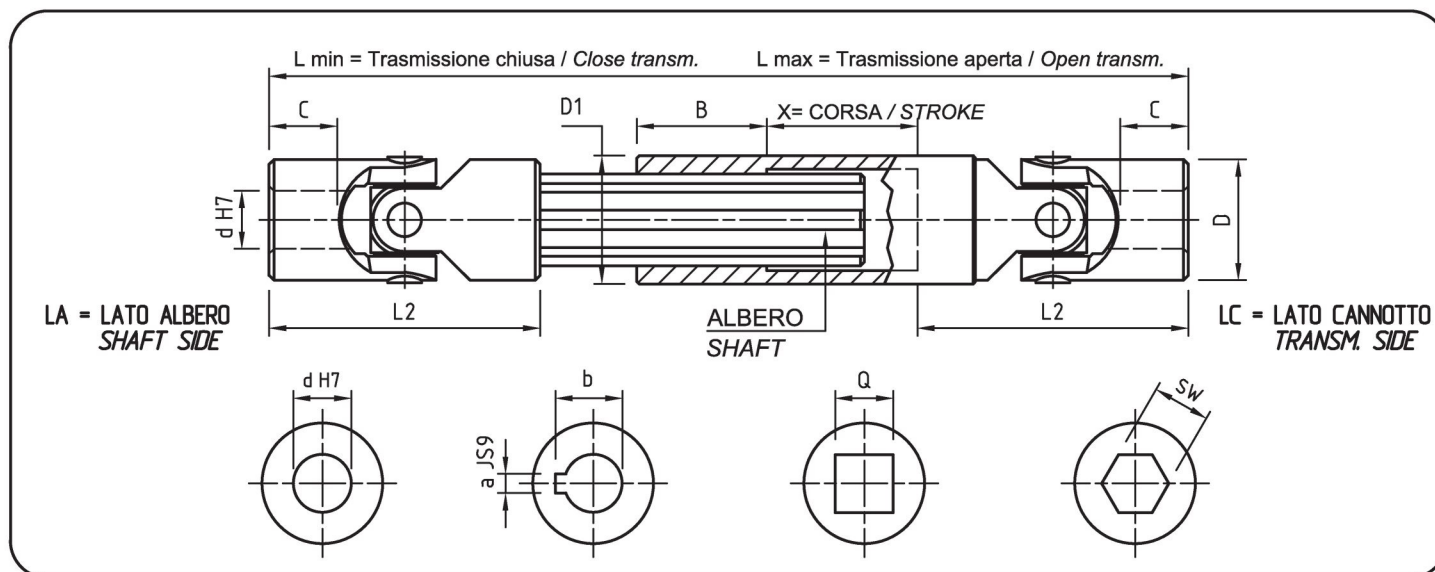


- Lunghezza min. e max a richiesta:  
*Min. and max. lengths on request:*

$$\text{L. MIN.} > \frac{\text{L. MAX.} + 2 \text{ L2} + \text{B}}{2} \quad \text{CORSA X} < \frac{\text{L. MAX.} - 2 \text{ L2} - \text{B}}{2}$$

*MIN. L. STROKE X*

- "Esecuzione innesto rapido, vedi pagina 11".  
*"Quick release execution, see page 11".*
- "Esecuzione a morsetto tipo CL1 o CL2, vedi pagine 20 e 21".  
*"Clamping hub execution type CL1 or CL2, see pages 20 and 21".*
- Esecuzioni speciali a richiesta.  
*Special executions on request.*



Mod. Type	d	D	L2	C	L min.	L max.	x	B	* a	* b	* Q	* SW	Albero Shaft	D1
					a richiesta - on request									
03XA	10	22	48	12	←	→	—	25	3	11,4	10	10	11 x 14 Z6	22
04XA	12	25	56	13	←	→	—	30	4	13,8	12	12	13 x 16 Z6	26
05XA	14	28	60	14	←	→	—	30	5	16,3	14	14	13 x 16 Z6	29
1XA	16	32	68	16	←	→	—	30	5	18,3	16	16	16 x 20 Z6	33
3XA	20	42	82	18	←	→	—	40	6	22,8	20	20	21 x 25 Z6	42
5XA	25	50	108	26	←	→	—	40	8	28,3	25	25	26 x 32 Z6	48
6XA	30	58	122	29	←	→	—	40	8	33,3	30	30	32 x 38 Z8	59

\*= Non sempre disponibile a magazzino / Not always available in stock

**Morskate®**



Any questions? Please contact us.

**Morskate Aandrijvingen BV**

Oosterveldsingel 47A  
7558 PJ Hengelo (Ov)  
The Netherlands

NL

T +31 (0)74 - 760 11 11  
info@morskateaandrijvingen.nl  
www.morskateaandrijvingen.nl

DE

T +49 692 - 222 34 95  
info@morskateantriebstechnik.de  
www.morskateantriebstechnik.de

EN

T +31 (0)74 - 760 11 11  
info@morskatedrivetechnology.com  
www.morskatedrivetechnology.com